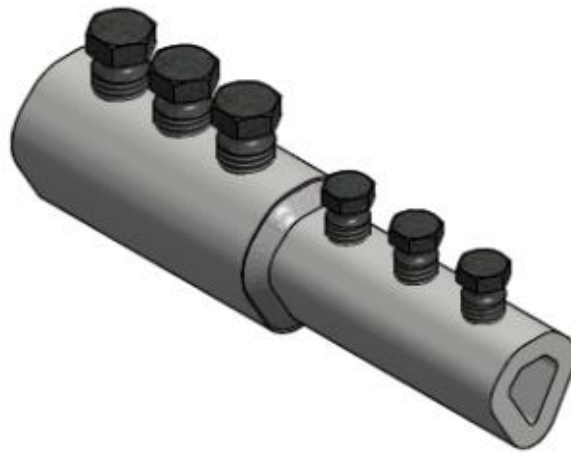


## COMMERCIAL DOCUMENTATION

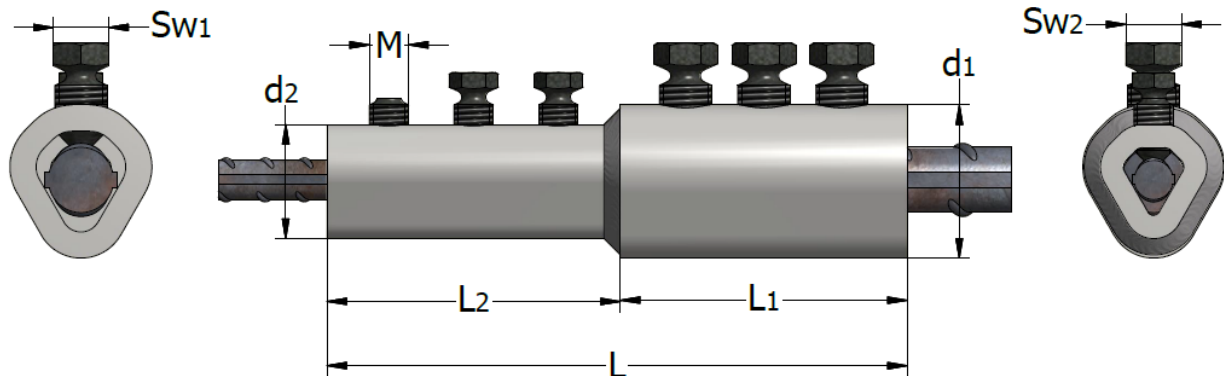


## ALLIGATOR COUPLERS | **ALC-VK TRANSITION COUPLER**



## TRANSITION COUPLER – ALC-VK

The ALLIGATOR TRANSITION COUPLER connects two different diameters of re-bar steel. This coupler can help the designer optimise the structure in a safe and economical manner.



Type ALC-VK	Product no.	Rebar $\varnothing$ [mm]	Breaking bolt number n	Breaking bolt thread M	L [mm]	L1 [mm]	L2 [mm]	d1 [mm]	d2 [mm]	SW1/SW2 [mm]	Max. Torque moment [Nm]
16/10-12	46210	16/10-12	4/3	M12/M12	205	115	90	37	33	13/13	115/115
20/12	44731	20/12	3/3	M16/M12	178	88	90	50	33	17/13	215/115
20/14	43593	20/14	4/4	M16/M12	227	112	115	50	37	17/13	215/115
20/16	44732	20/16	4/4	M16/M12	227	112	115	50	37	17/13	215/115
25/16	44733	25/16	3/4	M16/M12	221	106	115	55	37	17/13	215/115
25/20	44734	25/20	5/5	M16/M16	296	166	130	55	50	17/17	215/215
25/22	48255	25/22	5/5	M16/M16	331	166	165	55	50	17/17	215/215
28/25	48254	28/25	6/6	M20/M20	396	200	196	63	55	22/22	415/415
32/20	44735	32/20	4/5	M20/M16	276	140	136	70	50	22/17	415/215
32/25	44736	32/25	7/6	M20/M16	426	238	188	70	55	22/17	415/215
32/28	48253	32/28	7/6	M20/M20	446	238	208	70	63	22/22	415/415
36/32	61001	36/32	8/7	M20/M20	498	268	230	77	70	22/22	415/415
40/28	48252	40/28	7/6	M20/M20	430	230	200	76	63	22/22	415/415
40/32	44737	40/32	7/7	M20/M20	460	230	230	76	70	22/22	415/415

**CONTACT**


TERWA is the global supplier for precast and construction solutions with multiple offices around the world. With all our staff, partners and agents, we are happy to provide all construction and precast companies who work in the building industry with full service and 100% support.

**TERWA CONSTRUCTION GROUP**
**Terwa Construction Netherlands (HQ)**

**Global Sales & Distribution**  
 Kamerlingh Onneslaan 1-3  
 3401 MZ IJsselstein  
 The Netherlands  
**T** +31-(0)30 699 13 29  
**F** +31-(0)30 220 10 77  
**E** [info@terwa.com](mailto:info@terwa.com)

**Terwa Construction Central East Europe**

**Sales & Distribution**  
 Strada Sânzieni  
 507075 Ghimbav  
 Romania  
**T** +40 372 611 576  
**E** [info@terwa.com](mailto:info@terwa.com)

**Terwa Construction Poland**

**Sales & Distribution**  
 Ul. Cicha 5 lok. 4  
 00-353 Warszawa  
 Poland  
**E** [info@terwa.com](mailto:info@terwa.com)

**Terwa Construction India & Middle East**

**Sales & Distribution**  
 India  
**T** +91 89 687 000 41  
**E** [info@terwa.com](mailto:info@terwa.com)

**Terwa Construction China**

**Sales & distribution**  
 5F 504, No. 101 Chuanchang road  
 PRC, 200032, Shanghai  
 China  
**E** [info@terwa.com](mailto:info@terwa.com)

**ALL SPECIFICATIONS CAN BE CHANGED WITHOUT PREVIOUS NOTICE.**

**DISCLAIMER**

Terwa B.V. is not liable for deviations due to wear of the products it has delivered. Neither is Terwa B.V. liable for damage due to inaccurate and/or improper handling and use of the products it has delivered and/or use of same for purposes other than those intended.

Terwa B.V.'s responsibility is furthermore limited in accordance with article 13 of the "Metaalunie" conditions, which are applicable for all Terwa B.V. deliveries. The user is responsible for ensuring compliance with all applicable copyright laws. Without limiting the rights under copyright, no part of this documentation may be reproduced, stored in or introduced into a retrieval system, or transmitted in any form or by any means (electronic, mechanical, photocopying, recording, or otherwise), or for any purpose, without the express written permission of Terwa B.V.